

EASTERN ADAMS COUNTY METROPOLITAN DISTRICT  
ADAMS COUNTY  
AS OF 1/1/23

PARCEL 5  
0181329200007  
PAULS DEVELOPMENT  
EAST LLC

NW 1/4 SEC. 29  
T3S, R62W, 6TH P.M.

EACMD WASTEWATER  
TREATMENT PLANT  
0181329200005  
EASTERN ADAMS COUNTY  
METROPOLITAN DISTRICT

SW 1/4 SEC. 29  
T3S, R62W, 6TH P.M.

0181329300001 - PAUL POWERS  
0181329300002 - MIKE SERRA  
0181329300003 - RICHARD O. CAMPBELL  
0181329300004 - WAYNE ROSS  
0181329300005 - BRAD PAULS

SE 1/4 SEC. 29  
T3S, R62W, 6TH P.M.

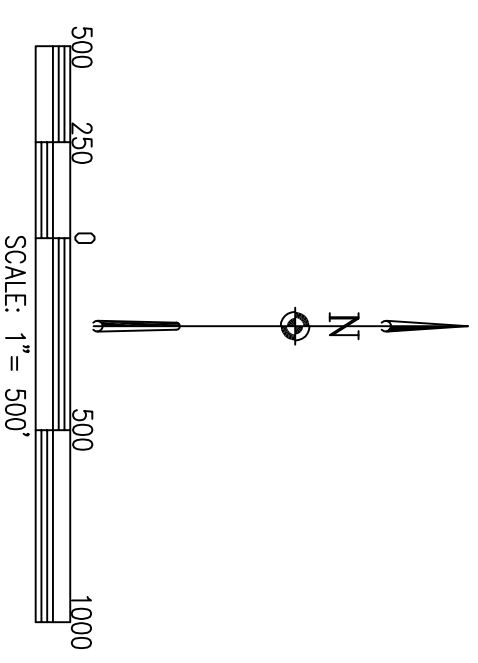
PARCEL 5  
0181329200007  
PAULS DEVELOPMENT  
EAST LLC

WOLF CREEK  
RUN WEST  
FIL. NO. 1

26TH AVENUE

WOLF CREEK ROAD

PIGGOTT ROAD



EASTERN ADAMS COUNTY  
METROPOLITAN DISTRICT  
BOUNDARY

EASTERN ADAMS COUNTY METROPOLITAN DISTRICT  
ADAMS COUNTY

ORIGINAL BOUNDARY BY COURT ORDER - 8/1/2000

PARCEL #1	18.82 AC.
PARCEL #2	57.75 AC.
PARCEL #3	315.84 AC.
PARCEL #4	139.41 AC.
PARCEL #5	461.51 AC.
PARCEL #6	NOT IN

ORDER & DECREE CREATING DISTRICT - 12/15/2000 -315.84 AC.

EXCLUDED PARCEL #3

COURT ORDER OF 10/30/2001 -18.82 AC.  
EXCLUDED PARCELS #1 & #2 -56,2696 AC.

COURT ORDER OF 8/21/2003 -139.41 AC.  
EXCLUDED PARCEL #4 462.9904 AC.

NET AS OF 8/21/03 462.9904 AC.  
RICHARDSON BOUNDARY ADJUSTMENT - 7/30/2004 -5,3844 AC.

NET AS OF 1/15/2006 457.6060 AC.

COURT ORDER OF 5/7/06 -380.7256 AC.  
EXCLUDED PORTION OF PARCEL #5

NET AS OF 1/1/2023 76.8804 AC.